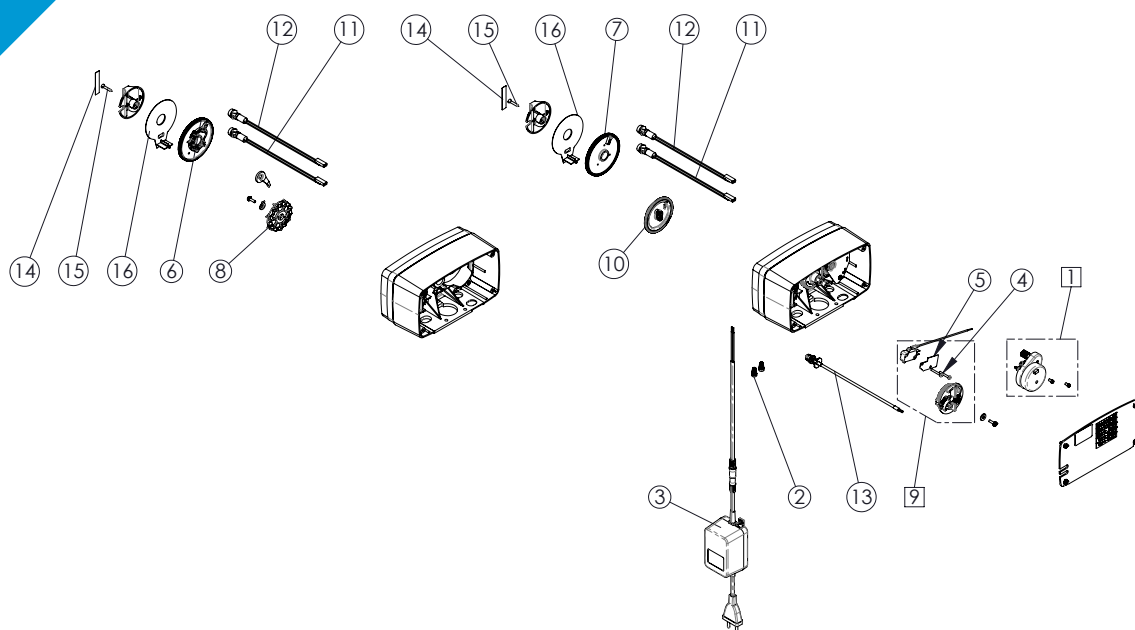


4600 VALVE SPARE PARTS

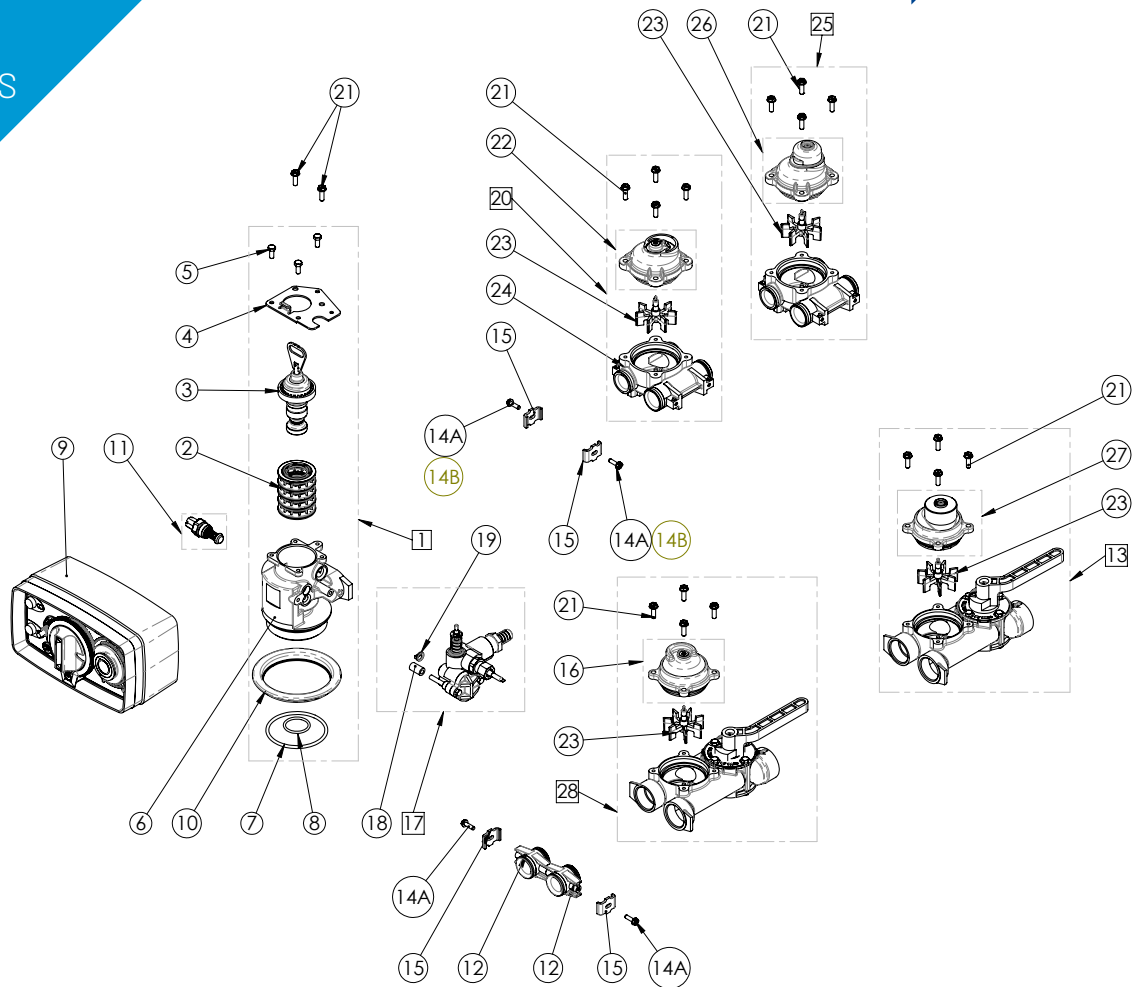


PHRESID 1

| Item | Reference | Description | Packing qty |
|------|--------------|--|-------------|
| 1 | 26775 | Timer motor assy 230V/50Hz 1/30 RPM | 1 |
| | 26776 | Timer motor assy 230V/50Hz 1/15 RPM | 1 |
| | 26778 | Timer motor assy 24V/50Hz 1/30 RPM | 1 |
| | 26779 | Timer motor assy 24V/50Hz 1/15 RPM | 1 |
| 2 | 40422SP | Wire Nut Tan - (50 pc) | 1 |
| 3 | BU28597 | Kit transfo 10 VA 400 mA resid | 1 |
| 4 | 18158SP | Screw - (50 pc) | 1 |
| 5 | 14087SP | Insulator - (50 pc) | 1 |
| 6 | 18090 | 24h gear assy 2x12 FR | 1 |
| 7 | 13009-21SP | 24 hour gear - (10 pc) | 1 |
| 8 | 24100 | Skipper wheel assy 12 days | 5 |
| | 14860 | Skipper wheel assy 7 days | 5 |
| 9 | BU28671-0,12 | Kit microswitch 5600 lights 1 to 3,5 kg | 1 |
| | BU28671-0,25 | Kit microswitch 5600 lights 1,5 to 7 kg | 1 |
| | BU28671-0,50 | Kit microswitch 5600 lights 3 to 14 kg | 1 |
| | BU28671-1 | Kit microswitch 5600 lights 6 to 28 kg | 1 |
| 10 | 24119 | Pgm wheel assy 8 m ³ | 1 |
| | 24120 | Pgm wheel assy 40 m ³ | 1 |
| 11 | 24377SP | Red Light 4600/5600 230V - (10 pc) | 1 |
| | 26723SP | Red Light 4600/5600 24V - (10 pc) | 1 |
| 12 | 24378SP | Green Light 4600/5600 230V - (10 pc) | 1 |
| | 26722SP | Green Light 4600/5600 24V - (10 pc) | 1 |
| 13 | 24544 | Kit meter cable assy 4600/5600 8 m ³ delayed | 5 |
| | 24545 | Kit meter cable assy 4600/5600 8 & 40 m ³ i mm. | 5 |
| | 24546 | Kit meter cable assy 4600/5600 40 m ³ delayed | 5 |
| 14 | 24750SP | Control Knob Label - (10 pc) | 1 |
| 15 | 15151SP | Screw Flat Head - (50 pc) | 1 |
| 16 | 26963SP | Valve Pos Dial Picto 5600 Std/LWU - (10 pc) | 1 |
| | 26965SP | Valve Pos Dial Picto 5600 FR - (10 pc) | 1 |

4600 VALVE

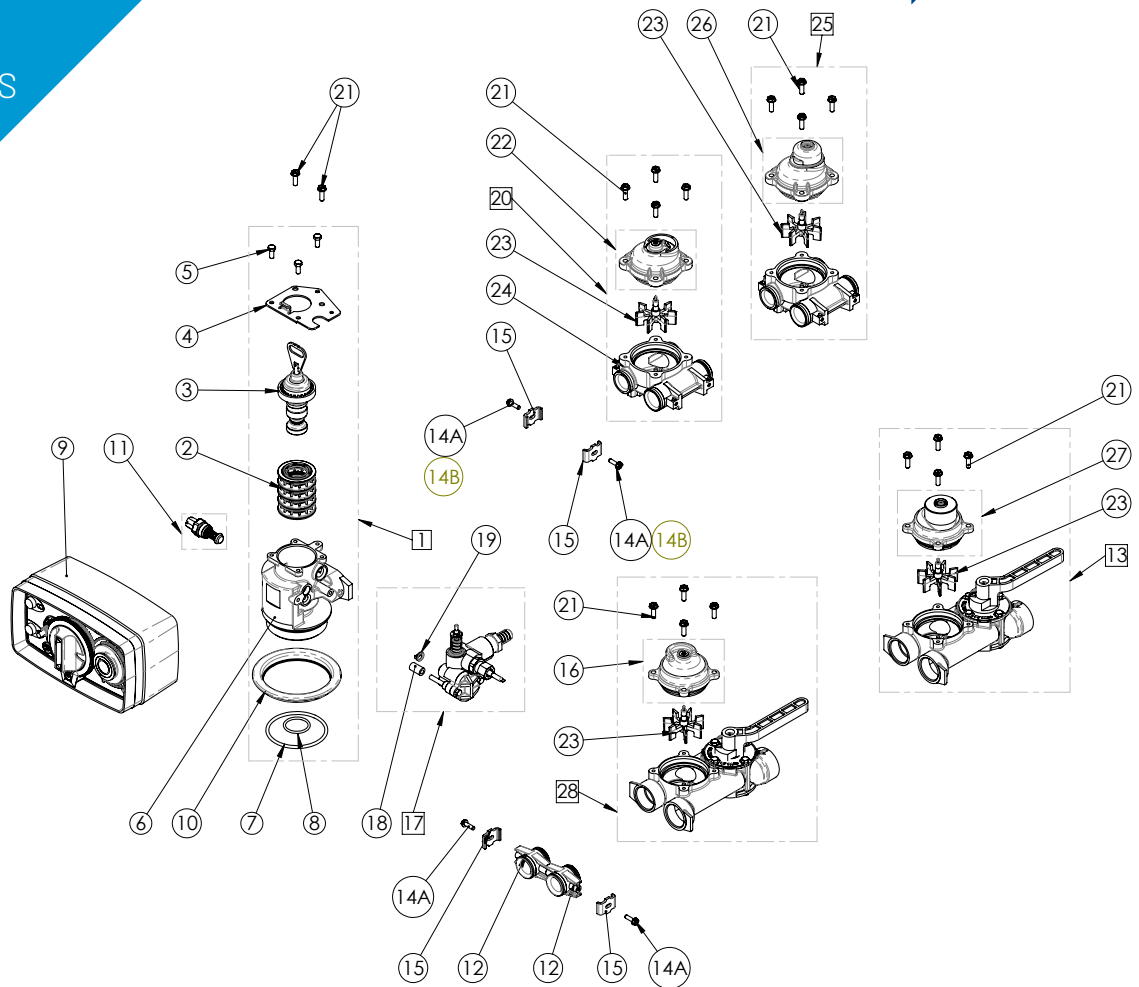
SPARE PARTS



4600 spare parts

| Item | Reference | Description | Packing qty |
|------|-------------|--|---------------|
| 1 | BU28518-01 | VB assy 4600 filter | 1 |
| | BU28518-02 | VB assy 4600 w/ mixing | 1 |
| | BU28518-03 | VB assy 4600 LWU w/ mixing | 1 |
| | BU28518-04 | VB assy 4600 FR w/ mixing | 1 |
| | BU28518-05 | VB assy 4600 HW w/ mixing | 1 |
| | BU28518-06 | VB assy 4600 LWU HW w/ mixing | 1 |
| | BU28518-07 | VB assy 4600 FR HW w/ mixing | 1 |
| 2 | 24115 | S&S kit resid | 1 |
| | 24944 | S&S kit 4600/9000 upper HW | 1 |
| 3 | 18928 | Piston assy 4600/5600 filter | 1 |
| | 24116 | Piston assy 4600/5600 | 1 |
| | 24117 | Piston assy 4600/5600 LWU | 1 |
| | 18089 | Piston assy 4600/5600 LWU FR | 1 |
| | 27077 | Piston assy 4600SXT 5600SXT 6600 6700 DF | 1 |
| | 27077-01 | Piston assy 4600SXT 5600SXT 6600 6700 HW | 1 |
| | 4 | BU13546 | Plug retainer |
| 5 | 11737SP | Screw TH M5x12 - (50 pc) | 1 |
| 6 | 28451-10 | VB 4600 w/ O-ring w/o mixing | 1 |
| | 28451-20 | VB 4600 w/ O-ring w/ mixing | 1 |
| 7 | 13304-01SP | O-ring 560 CD - (10 pc) | 1 |
| 8 | 10381-01SP | Tank O-ring 2 1/2" 560 CD - (10 pc) | 1 |
| 9 | VCPHRESID1 | Power head 4600/5600 - See VC sub-assemblies section | |
| | PH56SXT-001 | PH 4600/5600 SXT TC | 1 |

4600 VALVE SPARE PARTS



4600 spare parts

| Item | Reference | Description | Packing qty |
|------|-------------|--|-------------|
| | PH56SXT-002 | PH 4600/5600 SXT TC UF | 1 |
| | PH56SXT-003 | PH 4600/5600 SXT eco | 1 |
| | PH56SXT-004 | PH 4600/5600 SXT eco UF | 1 |
| 10 | 11965SP | Cabinet Retainer ABS 4600 - (10 pc) | 1 |
| 11 | 24509-01 | Mixing assy resid | 10 |
| 12 | 13709 | Coupling assy 2510/resid/9000 | 2 |
| 13 | 26006-10 | Eco bypass assy 8 m ³ & red handle HW | 1 |
| | 26156-10 | Eco bypass assy 40 m ³ & red handle HW | 1 |
| 14A | 13314SP | Screw Adapt Clip - (50 pc) | 1 |
| 14B | 14202-01SP | Screw Adapt Clip 9000/9100 - (50 pc) | 1 |
| 15 | 13255SP | Mounting Clip - (12 pc) | 1 |
| 16 | 15218 | Cover meter assy brass | 1 |
| 17 | VCINJ1 | Injector residential - See VC sub-assemblies section | |
| 18 | 13361SP | Spacer Inj - (5 pc) | 1 |
| 19 | 13497SP | Air Dispenser - (50 pc) | 1 |
| 20 | 24107 | Meter assy 3/4" 8 m ³ plastic | 1 |
| 21 | 12473SP | Screw Hex Washer 10-24x5/8 18-8SS - (50 pc) | 1 |
| 22 | BR14038 | Cover meter assy plastic | 1 |
| 23 | 13509SP | Impeller Meter Except 2" & 3" - (10 pc) | 1 |
| 24 | 24102 | Meter body assy 3/4" & ring | 1 |
| 25 | 25871 | Meter assy 3/4" extended plastic 90° | 1 |
| 26 | BR15659 | Meter cover assy plastic extended 90° | 1 |
| 27 | 15237 | Meter cover assy brass extended | 1 |