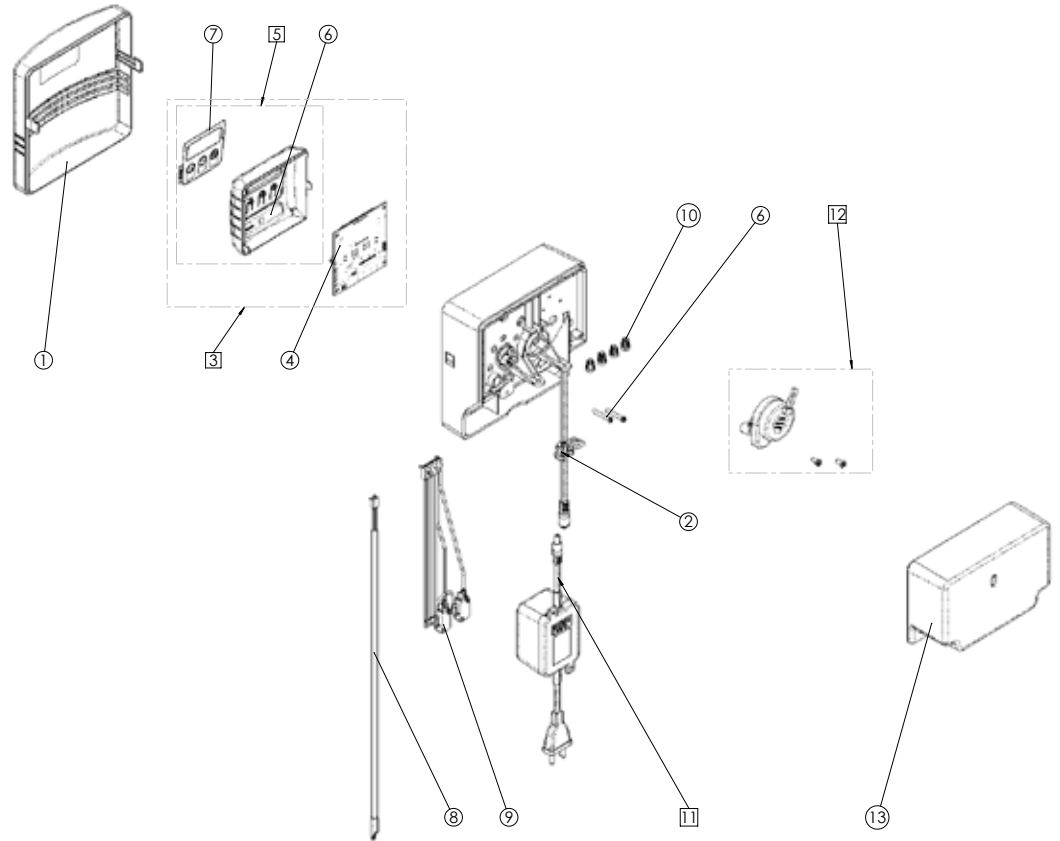


5000 SXT ELECTRONIC VALVE

SPARE PARTS

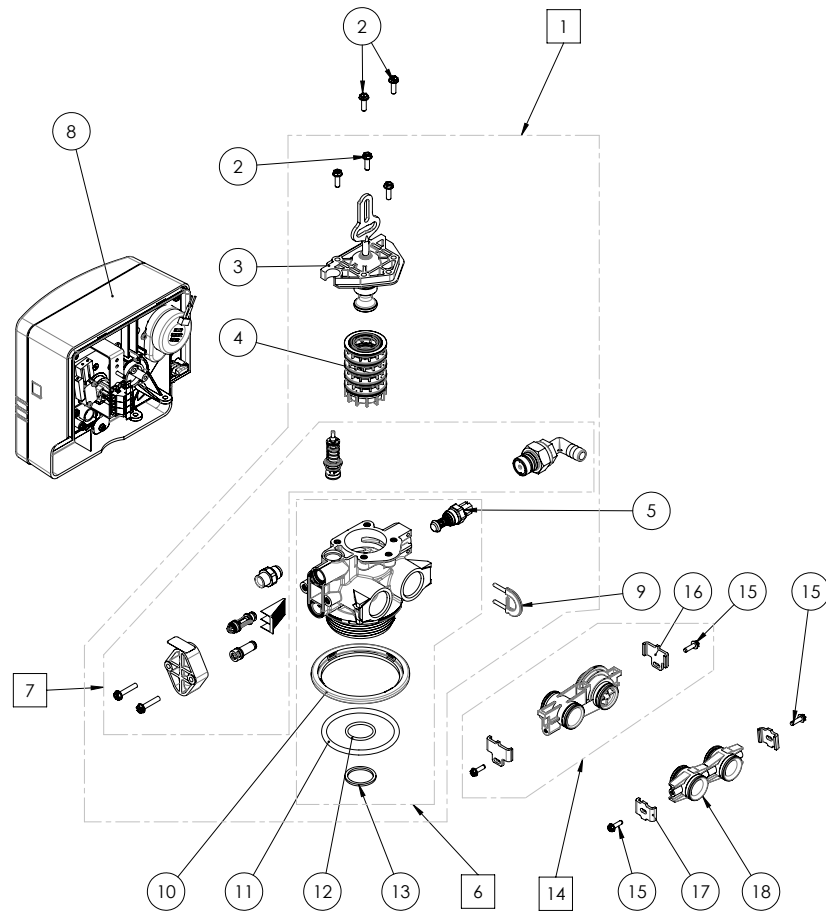


Power head 5000 SXT

Item	Reference	Description	Packing qty
1	18260-00	Cover front smoke	1
2	13547SP	Strain Relief 24V - (50 pc)	1
4	BR43346-E0	Circuit board SXTprogrammed eco	1
5	BU28714	Cover front panel & label SXT	1
6	14923SP	Screw Microswitch - (50 pc)	1
7	42637SP	Label Display SXT - (10 pc)	1
8	BR19791-01	Turbine meter cable elect. 0,450 m	1
9	BU28600	Wire harness power 4600/5000/5600	1
10	40422SP	Wire Nut Tan - (50 pc)	1
11	BU28597	Kit transfo 10 VA 400 mA resid	1
12	BU28722	Timer motor assy 24V/50Hz 5000	1
13	18259-02	Back cover plastic 5000SE black	1

5000 SXT ELECTRONIC VALVE

SPARE PARTS



5000 SXT spare parts

Item	Reference	Description	Packing qty
1	BU28519-02	VB assy 5000DF w/ mixing	1
	BU28519-03	VB assy 5000UF w/ mixing	1
2	12473SP	Screw Hex Washer 10-24x5/8 18-8SS - (50 pc)	1
3	BU26080	Piston assy 5000 UF & filter	1
	BU26079	Piston assy 5000 DF	1
4	26045	S&S kit 5000	1
5	24509-01	Mixing assy resid	10
6	BU26073	VB 5000 w/o mixing	1
	BU26074	VB 5000 w/ O-ring w/ mixing	1
7	VCINJ1	Injector residential - See VC sub-assemblies section	
8	PH5000-001	PH 5000 SXT eco	1
	PH5000-002	PH 5000 SXT TC	1
	PH5000-003	PH 5000 SXT filter UF	1
9	18312SP	Retainer Drain - (10 pc)	1
10	18569	Retainer tank seal	1
11	18303-01SP	O-ring Top of Tank - (10 pc)	1
12	13304-01SP	O-ring 560 CD - (10 pc)	1
13	13030SP	O-ring Retainer Resid - (50 pc)	1
14	60626-01	Meter assy 3/4" turbine SXT	1
15	13314SP	Screw Adapt Clip - (50 pc)	1
16	19569SP	Clip Flow Meter SXT - (12 pc)	1
17	13255SP	Mounting Clip - (12 pc)	1
18	13709	Coupling assy 2510/resid/9000	2