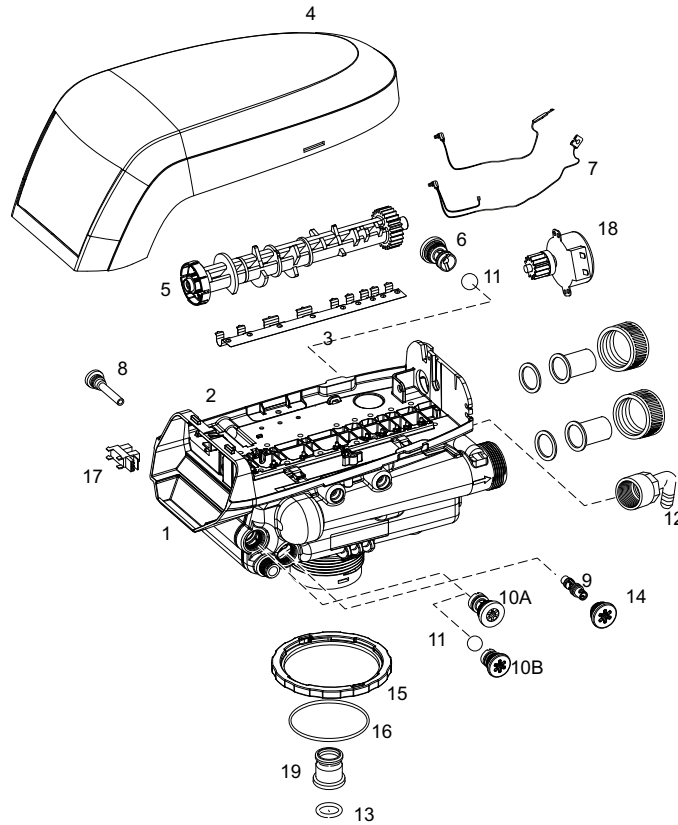


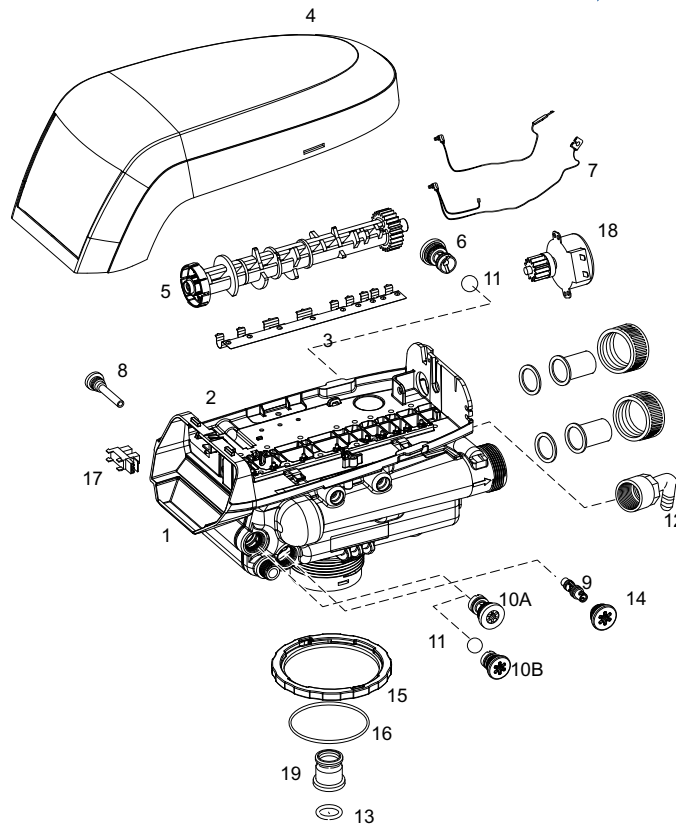
268/263 VALVE LOGIX

SPARE PARTS



268/263 valve Logix

| Item | Old part number | Reference | Description | Packing qty |
|--------|-----------------|-----------|---|-------------|
| 1 | | 1255104 | Valve assy w/o flow controls | 1 |
| 2 | | 1235338 | Top plate, 268/700 series valves | 1 |
| 3 | | 1235339 | Valve disc spring, one piece, Performa | 1 |
| 4 | | 1236246 | Cover, valve, 255/Performa 700/860 series | 1 |
| 5 | | | Performa Logix camshafts: | |
| | | 1235352 | Cam, 263-268/700-860 series valve, std, black | 1 |
| 6 | | | Drain control assy: | |
| | | 1000209 | No. 7 (1.2 gpm; 4.5 lpm) | 1 |
| | | 1000210 | No. 8 (1.6 gpm; 6.1 lpm) | 1 |
| | | 1000211 | No. 9 (2.0 gpm; 7.6 lpm) | 1 |
| | | 1000212 | No. 10 (2.5 gpm; 9.5 lpm) | 1 |
| | | 1000213 | No. 12 (3.5 gpm; 13.2 lpm) | 1 |
| | | 1000214 | No. 13 (4.1 gpm; 15.5 lpm) no ball | 1 |
| | | 1000215 | No. 14 (4.8 gpm; 18.2 lpm) no ball | 1 |
| * | | | External drain line flow control: | |
| | | 1030355 | Drain line flow control, 5 gpm (19 lpm) | 1 |
| | | 1030356 | Drain line flow control, 6 gpm (22.5 lpm) | 1 |
| | | 1030357 | Drain line flow control, 7 gpm (26.5 lpm) | 1 |
| | | 1030358 | Drain line flow control, 8 gpm (30 lpm) | 1 |
| | | 1030359 | Drain line flow control, 9 gpm (34 lpm) | 1 |
| | | 1030360 | Drain line flow control, 10 gpm (38 lpm) | 1 |
| | | 1000406 | Drain line flow control 12 gpm (45 lpm) | 1 |
| | | 1000407 | Drain line flow control 15 gpm (56.8 lpm) | 1 |
| | | 1000409 | Drain line flow control 20 gpm (75.7 lpm) | 1 |
| * | | 1000269 | Plug for backwash flow control when used with external DLFC | 1 |
| 7 + 18 | 1235269 | 1238861 | Motor + cable 700 series controller, 12V 50/60 Hz | 1 |
| 8 | | 1000226 | Screen/cap assy w/O-ring | 1 |



268/263 valve Logix

| Item | Old part number | Reference | Description | Packing qty |
|------|-----------------|-----------|---|-------------|
| 9 | | | Injector (high efficiency) options: | |
| | | 1035730 | "E" injector (high efficiency) - yellow (6" dia. vessels) | 1 |
| | | 1035731 | "F" injector (high efficiency) - peach (7" dia. vessels) | 1 |
| | | 1035732 | "G" injector (high efficiency) - tan (8" dia. vessels) | 1 |
| | | 1035733 | "H" injector (high efficiency) - Lt purple (9" dia. vessels) | 1 |
| | | 1035734 | "J" injector (high efficiency) - Lt blue (10" dia. vessels) | 1 |
| | | 1035735 | "K" injector (high efficiency) - pink (12" dia. vessels) | 1 |
| | | 1035736 | "L" injector (high efficiency) - orange (13-14" dia. vessels) | 1 |
| 11 | | 1030502 | Ball, internal DLFC up to no 12 included | 1 |
| * | | 1030334 | Plugged refill flow control - for 263 valve | 1 |
| 12 | | 1002449 | Drain fitting elbow (3/4" hose barbed) | 1 |
| 13 | | 1232370 | O-ring EP | 1 |
| 14 | | 1000269 | Injector cap with O-ring | 1 |
| 15 | | 1035622 | Tank ring | 1 |
| * | 3029969 | 1010154 | Tank O-ring | 1 |
| * | | 1239760 | Blending Valve Kit 400 & 700 Series | 1 |
| * | | 1033444 | Turbine assy | 1 |
| * | | 1041174 | Standard/sev valve disc kit | 1 |
| * | | 1244336 | Chlorine generator kit, 0.33 gpm | 1 |
| * | | 1239979 | Cable harness for remote regeneration on 740f | 1 |
| 17 | | 1235373 | Module, sensor, photo interrupter | 1 |
| * | 1233187 | 3029962 | Motor locking pin (white) | 1 |
| 19 | | 1001986 | 13/16" rubber insert (optional) | 1 |
| * | | 1235446 | Turbine cable, Logix, short | 1 |
| * | | 1239711 | Swich kit, front mount, 0.1 Amp | 1 |
| * | | 1239752 | Swich kit, front mount, 5 Amp | 1 |
| * | | 1239753 | Switch kit, top plate mount, 0.1 Amp | 1 |
| * | | 1239754 | Switch kit, top plate mount, 5 Amp | 1 |